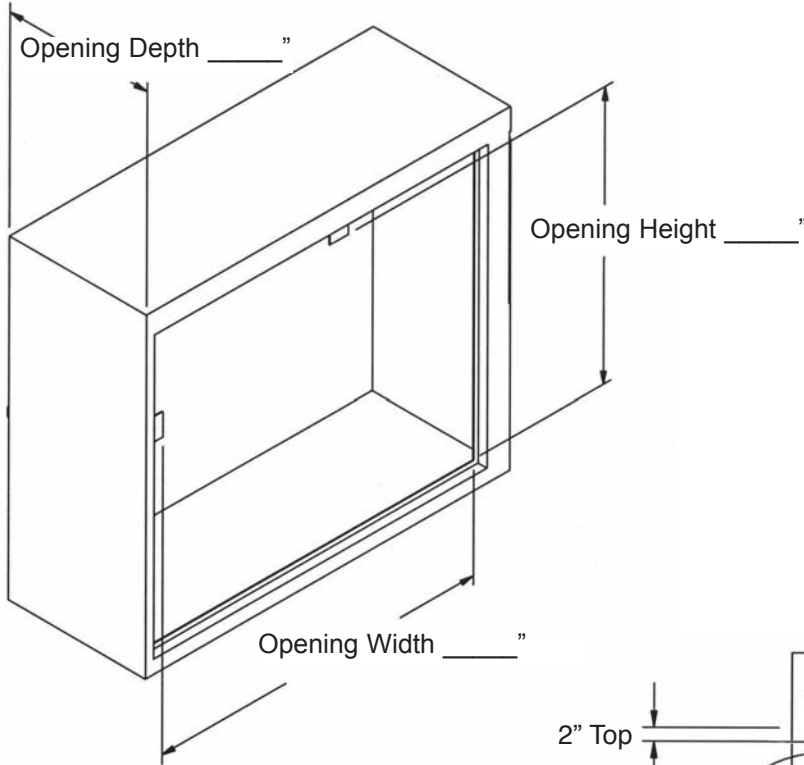




## Drawer System Measurement Guide

**Note:** Measure the unobstructed, clear opening dimensions of the compartment. Obstructions may include, but are not limited to: doors, striker plates, chains, weather strip, and any other items that may interfere with door opening. Also, check to see if there is an offset in the back of the compartment.



Qty. \_\_\_\_\_ x 3" = \_\_\_\_\_"

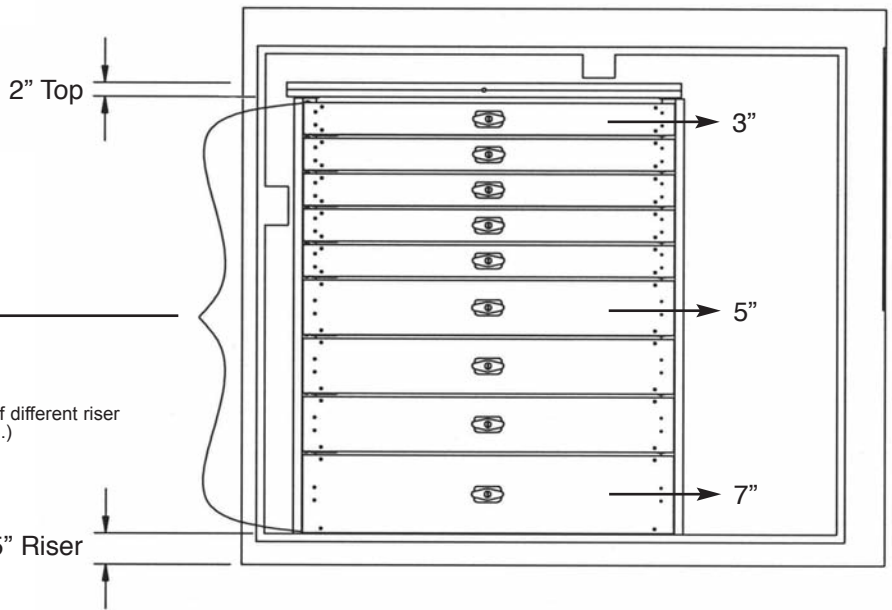
Qty. \_\_\_\_\_ x 5" = \_\_\_\_\_"

Qty. \_\_\_\_\_ x 7" = \_\_\_\_\_"

+ 2" Top

+ 2.5" Riser Std. (Please indicate if different riser height is required.)

Total Height = \_\_\_\_\_"



Name: \_\_\_\_\_ Company Name: \_\_\_\_\_

Address: \_\_\_\_\_ City: \_\_\_\_\_ State: \_\_\_\_\_ Zip: \_\_\_\_\_

Email: \_\_\_\_\_

Phone: \_\_\_\_\_ Fax: \_\_\_\_\_