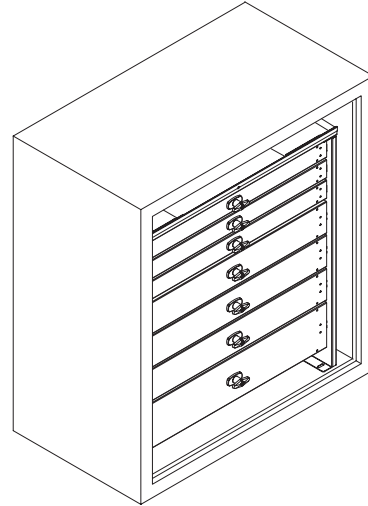
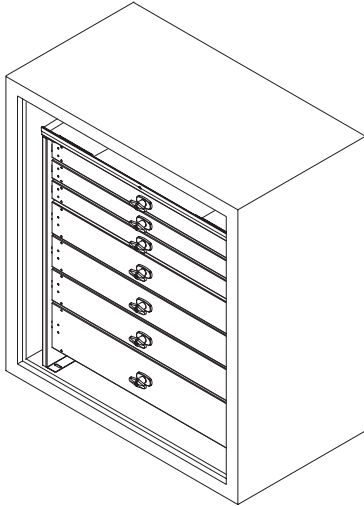
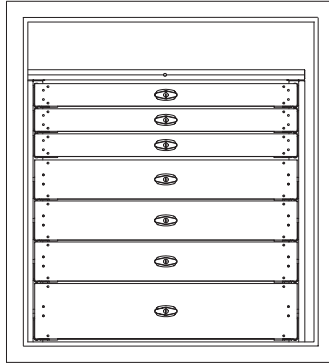


Installation Guide

American Eagle Mobile Drawer Sets



American Eagle
740 N. State Street
PO Box 169
Garner, IA 50438
800-392-3015
Fax: 641-923-9099
www.americaneagleacc.com

Installation Overview



Note: Drawers are removable. Pull the drawer full out, hang onto the latch, and gently tap the bottom up. The drawer should pop out. This may aid in the installation process.

Step 1:

Compartment side and outer drawer side face should be flush. This will allow the drawers to open unobstructed by the compartment.

Step 2:

Push the drawer set tight to the back of the compartment. This allows for a 5/6-18 UNC cap screw to be used to tie the drawer shelf to the back wall.

Step 3:

Extend the adjustable drawer shelf end tight to the front wall of the compartment. This allows for a 5/16-18 UNC cap screw to be used to tie the drawer shelf to the side wall. Repeat for other shelf end if application allows.

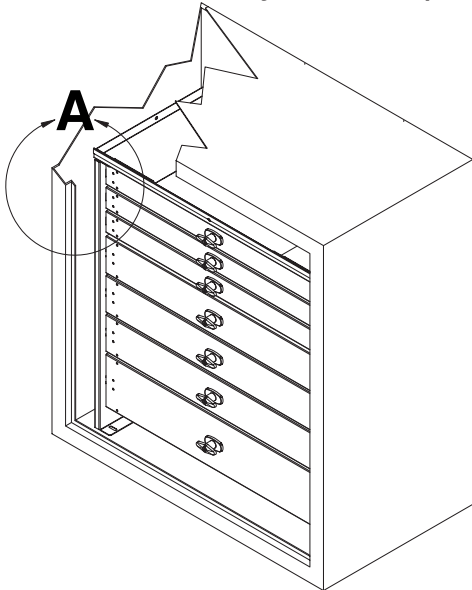
Step 4:

Drill four(4) .344 holes for mounting of the drawer set to the floor of the compartment. Use 5/16-18 UNC cap screws to fasten drawer set to floor.

Installation Details

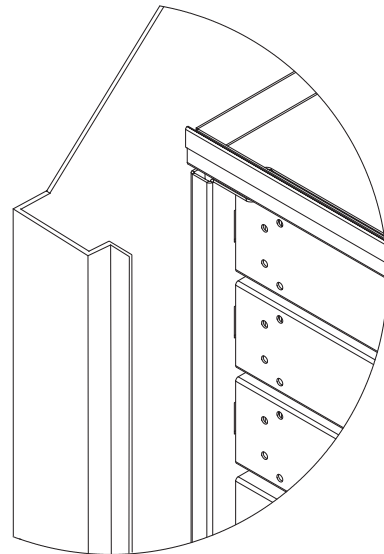
Step 1:

Compartment side and outer drawer side face should be flush. This will allow the drawers to open unobstructed by the compartment.



Drawer shown in compartment.

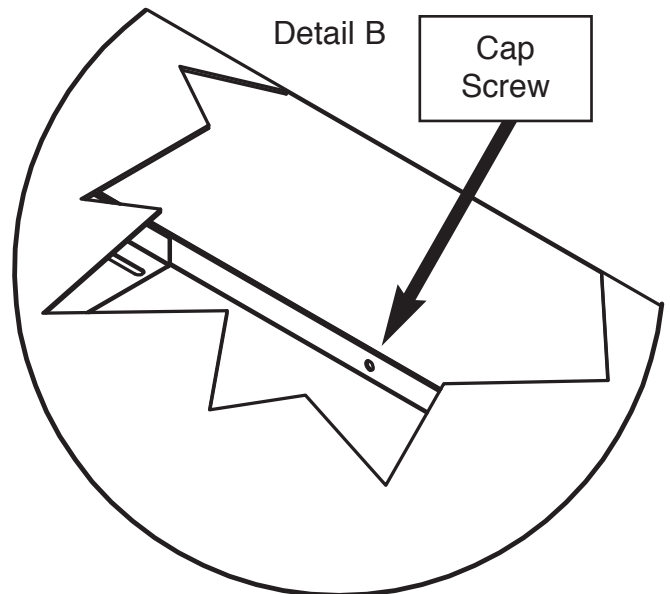
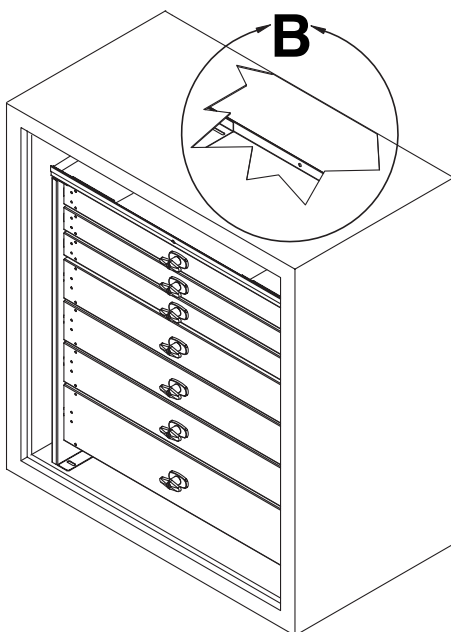
Detail A



Compartment side and outer drawer side face are flush

Step 2:

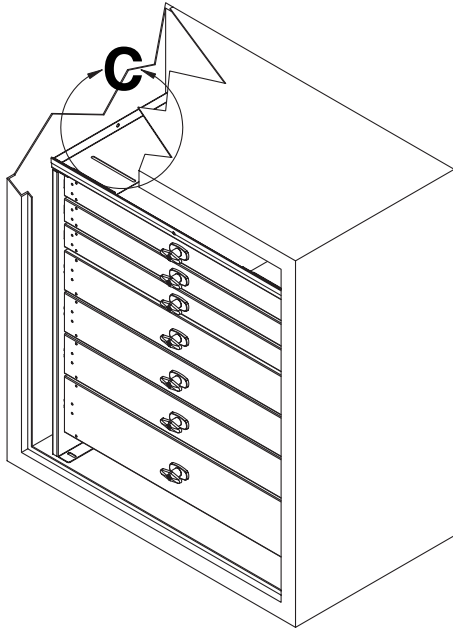
Push the drawer set tight to the back of the compartment. This allows for a 5/6-18 UNC cap screw to be used to tie the drawer shelf to the back wall.



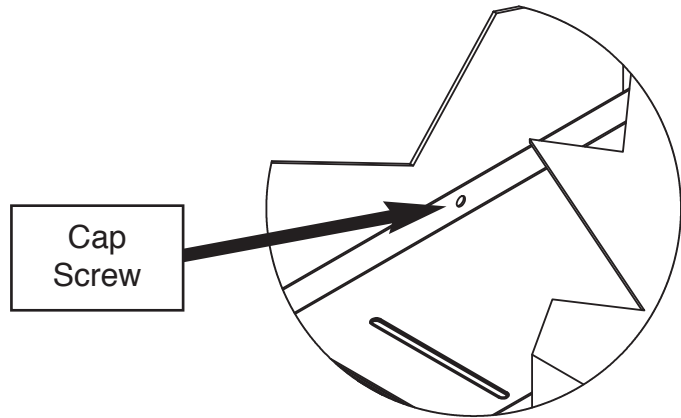
The drawer set is tight to the back of the compartment.

Step 3:

Extend the adjustable drawer shelf end tight to the front wall of the compartment. This allows for a 5/16-18 UNC cap screw to be used to tie the drawer shelf to the side wall. Repeat for other shelf end if application allows.



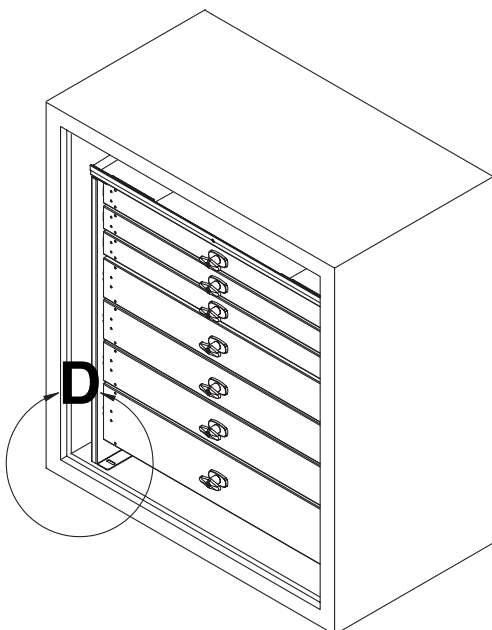
Detail C



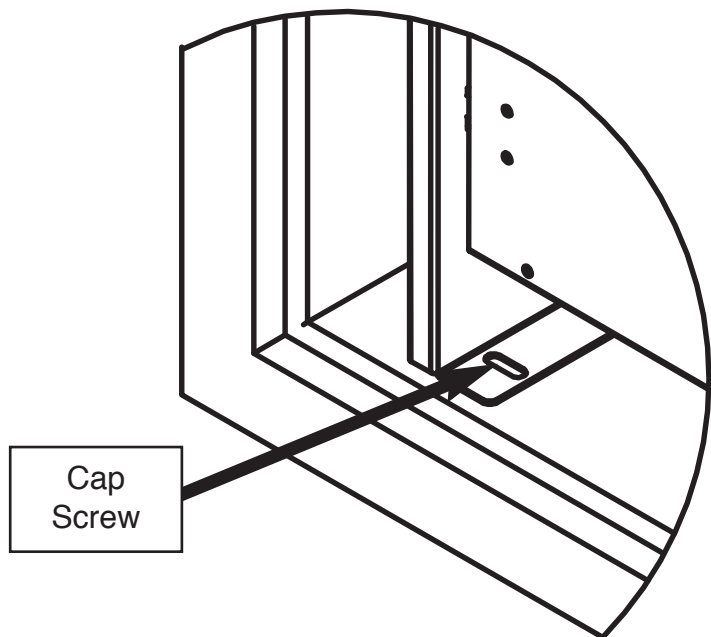
The drawer shelf is tight to the front wall of the compartment.

Step 4:

Drill four(4) .344 holes for mounting of the drawer set to the floor of the compartment. Use 5/16-18 UNC cap screws to fasten drawer set to floor.

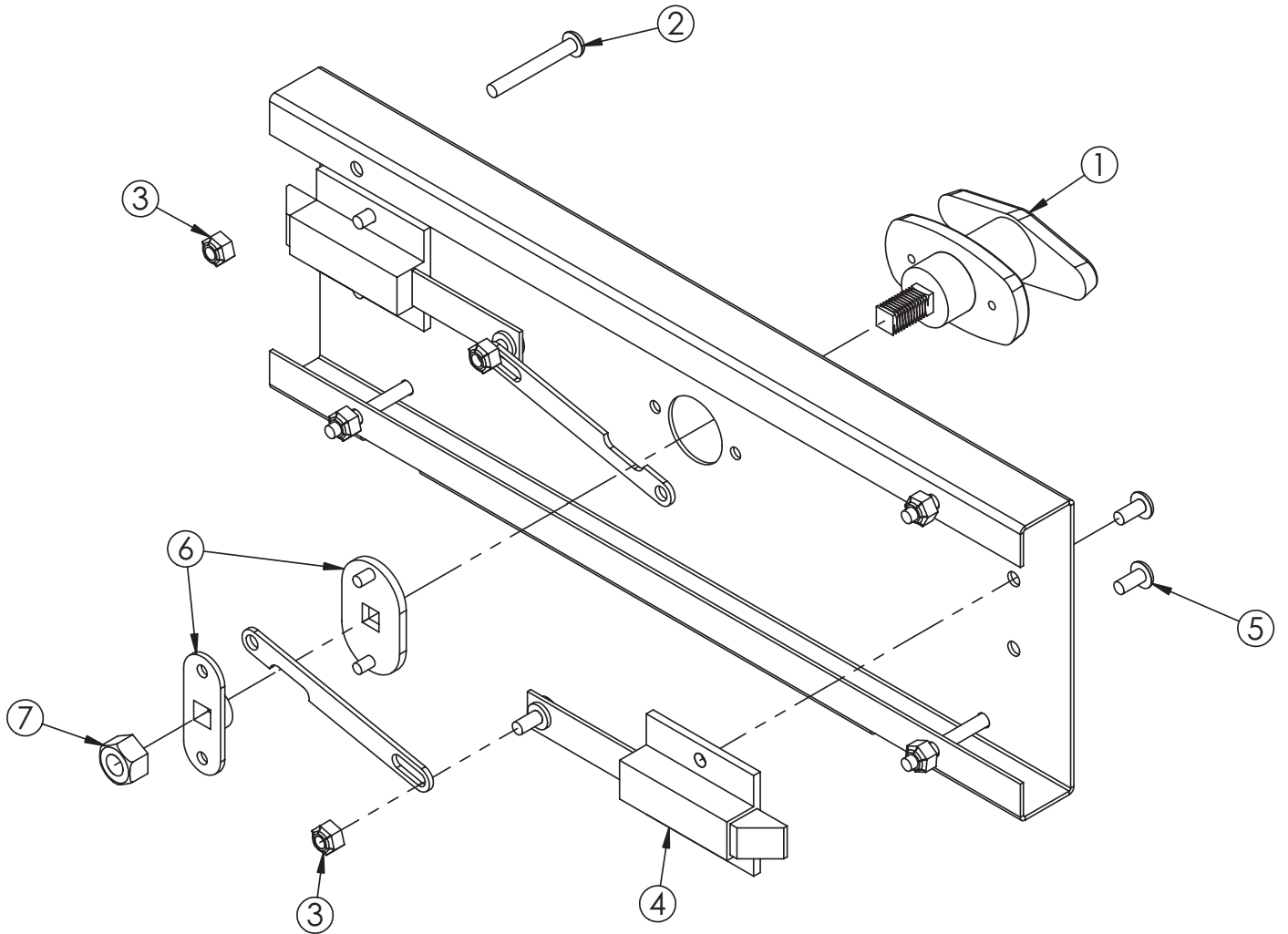


Detail D



Drill four holes into the bottom of the compartment.

Replacement Parts



ITEM	PART	DESCRIPTION	QTY.
1	19598	HANDLE (T) ROLOT DRAWER	1
2	21039	SCREW #10-24X1.50 BTNHD SS	4
3	C4956	NUT #10-24 HH NYLOC SS	6
4	19599	LATCH SPRING ROLOT DRAWER	2
5	11754	RIVET SS .19X.062-.270 MGLP-U6-4	4
6	20985	CAM T-HANDLE LATCH	1
7	21262	NUT 0.38-24 HHGR5 NYLOC	1

Note: The parts listed on this page are common to all American Eagle Mobile Drawer Sets. For replacement parts needed for your specific drawer set, please contact Customer Service at

800-321-3741